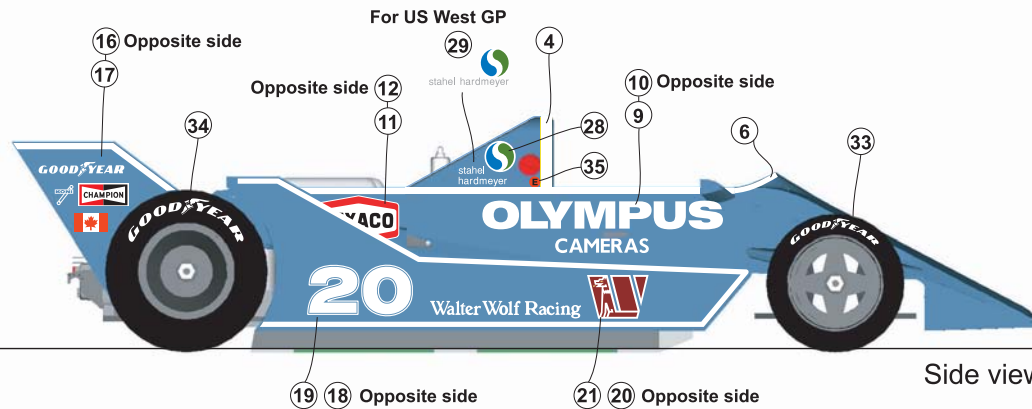


Top view - Decal Layout



Side view - Decal Layout

TWU 003
 US West GP - James Hunt
 Monaco GP - James Hunt

body colour	TS14	Black
	X12	gold
	X18	semi gloss black
	X10	gun metal
	X11	silver
	X7	red
	XF1	flat black
	XF8	flat blue
	XF10	flat brown
	XF16	aluminium

WOLF WR7 1979

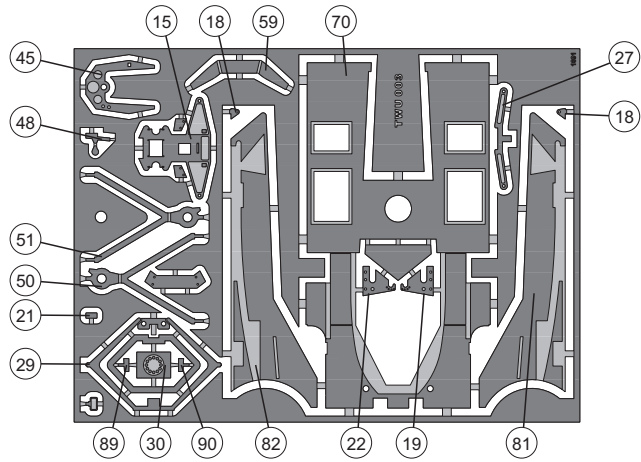
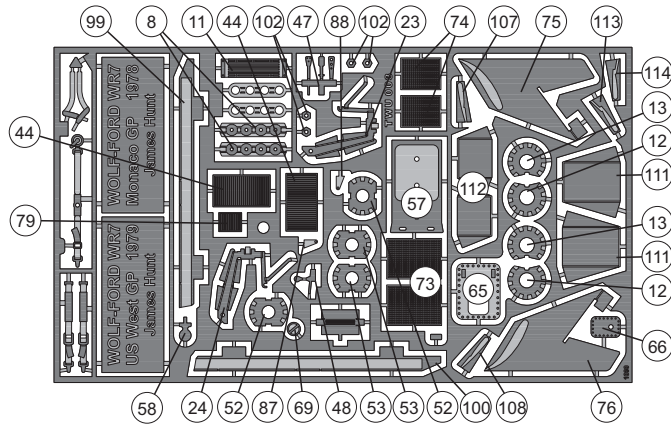


In 1979 Harvey Postlethwaite introduced his folded honeycomb aluminium monocoque construction with the Wolf-Ford WR7. The engine, transmission and suspension layout remained of conventional design. James Hunt drove the WR7 until he decided to quit Grand Prix racing after retiring from the Monaco GP. His best result of the season was an 8th place in South Africa.

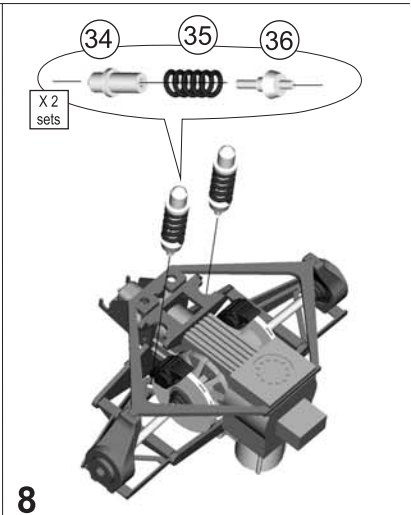
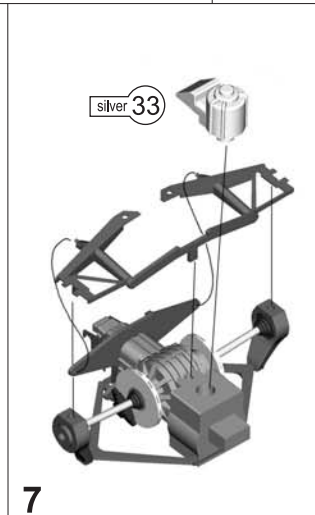
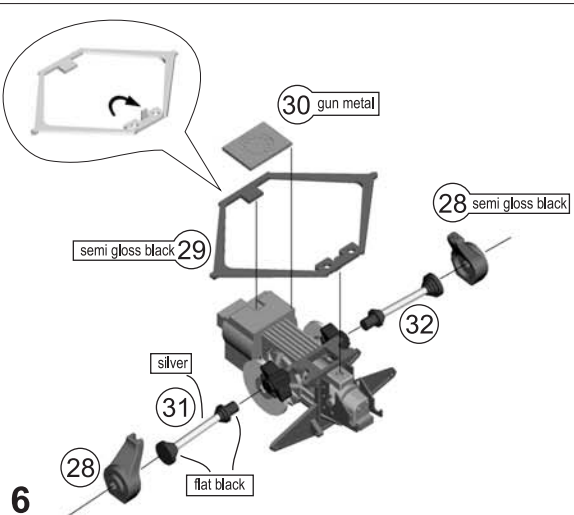
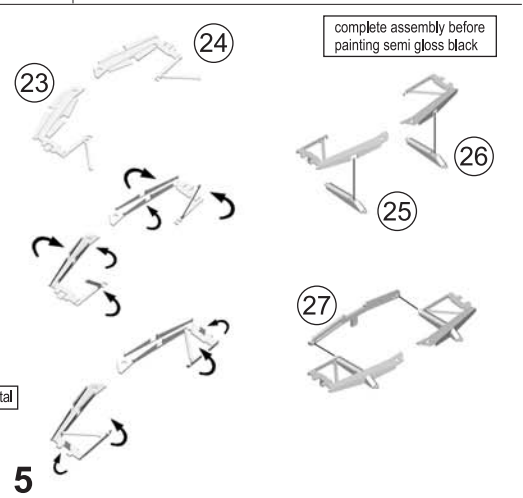
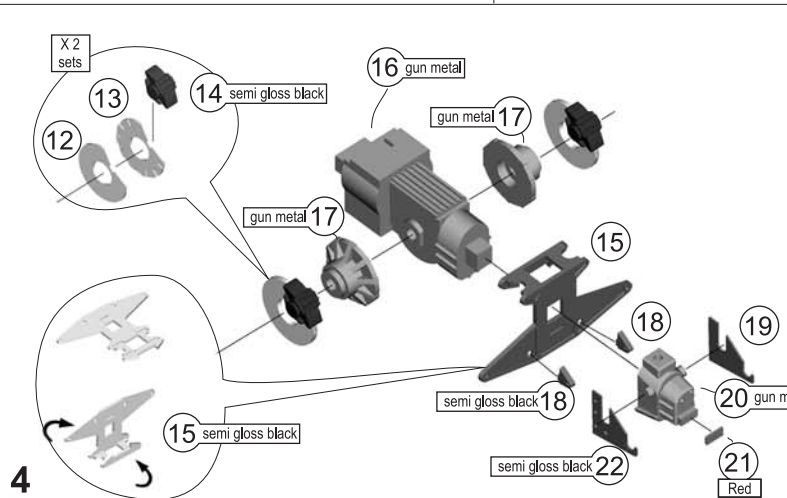
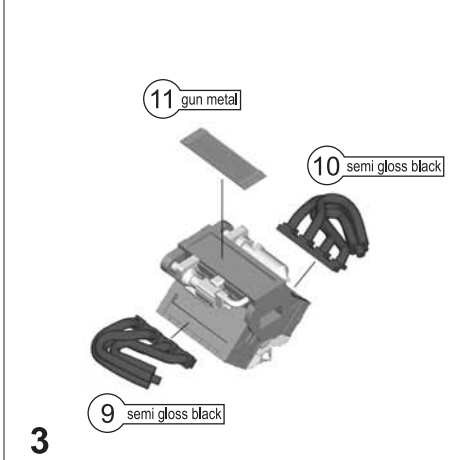
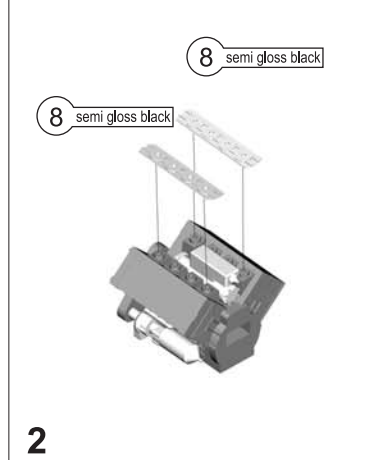
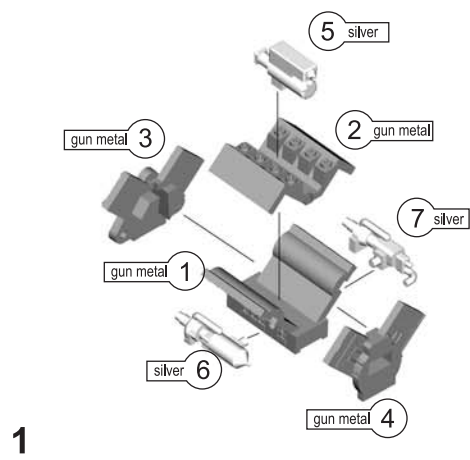
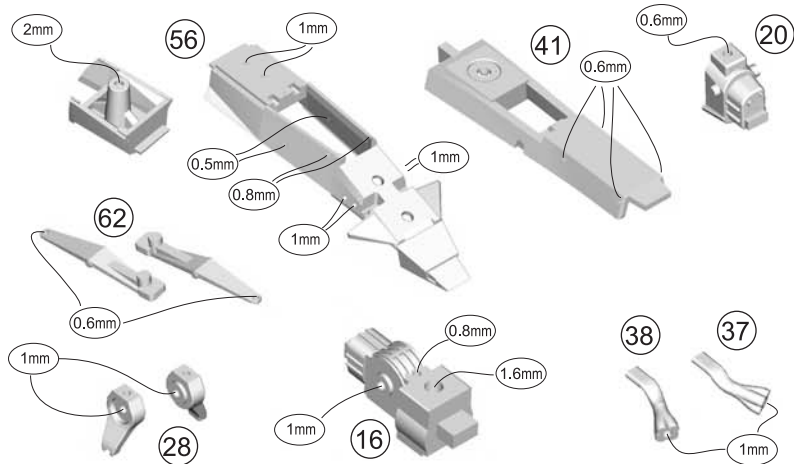
Keke Rosberg replaced Hunt at the French GP still driving the WR7. The car was later modified into the WR8 and WR9. Rosberg was classified only once, 9th in the French GP. 1979 was the Wolf team's last season in Formula 1 with two finishes, 12 retirements and one DNQ. In 1980 the Fittipaldi brothers took over the Wolf concern and WR8 and WR9 became the first Fittipaldi F7 cars.

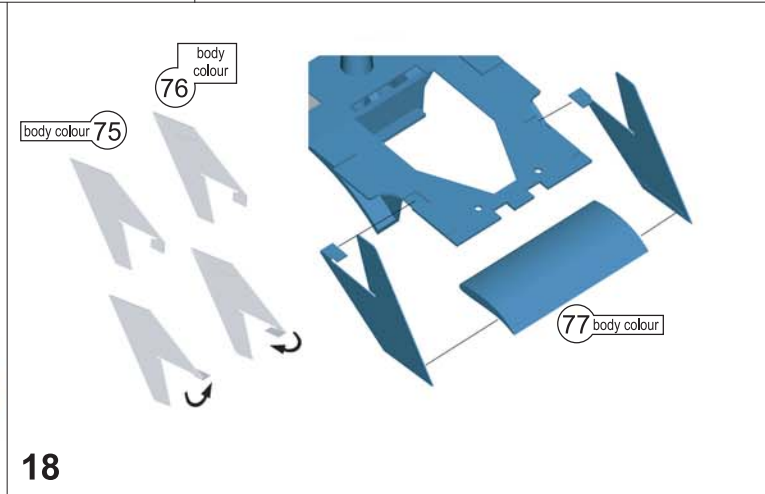
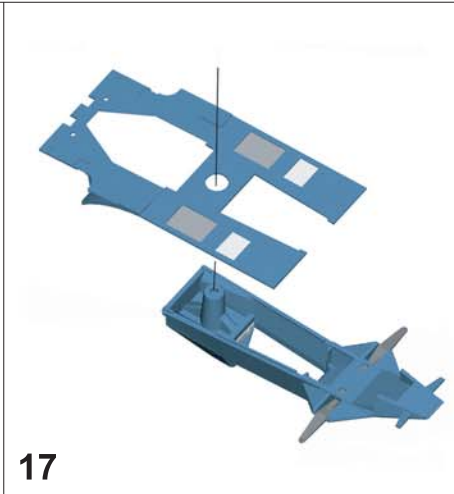
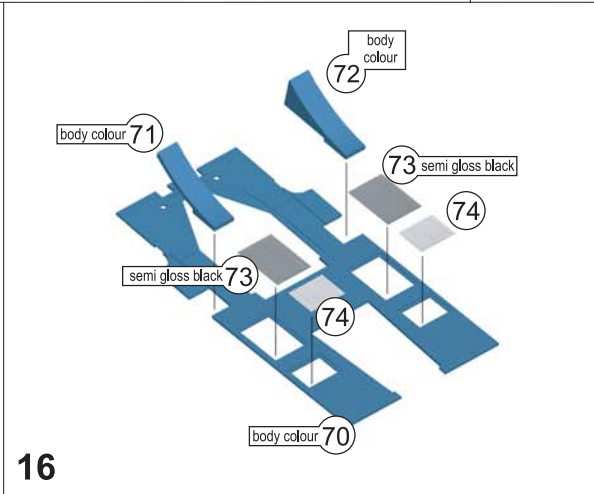
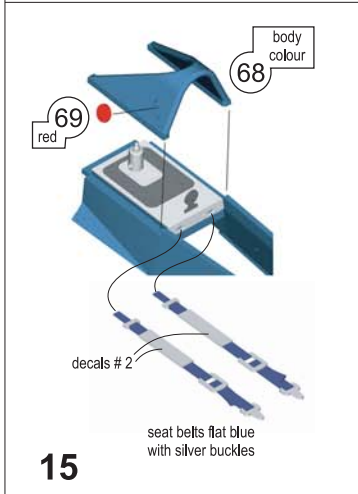
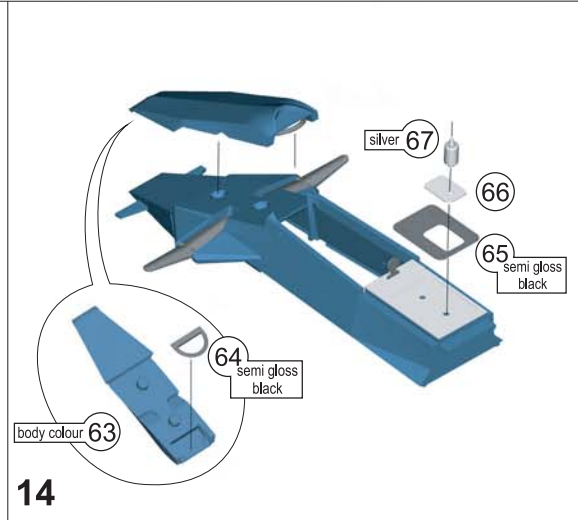
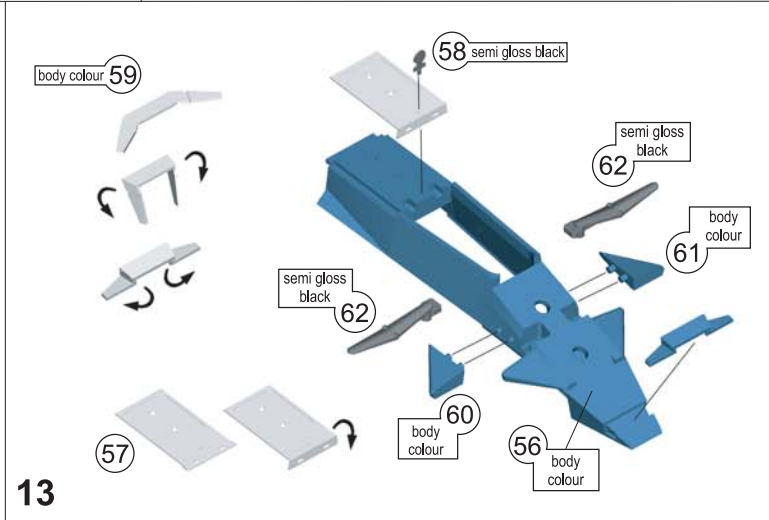
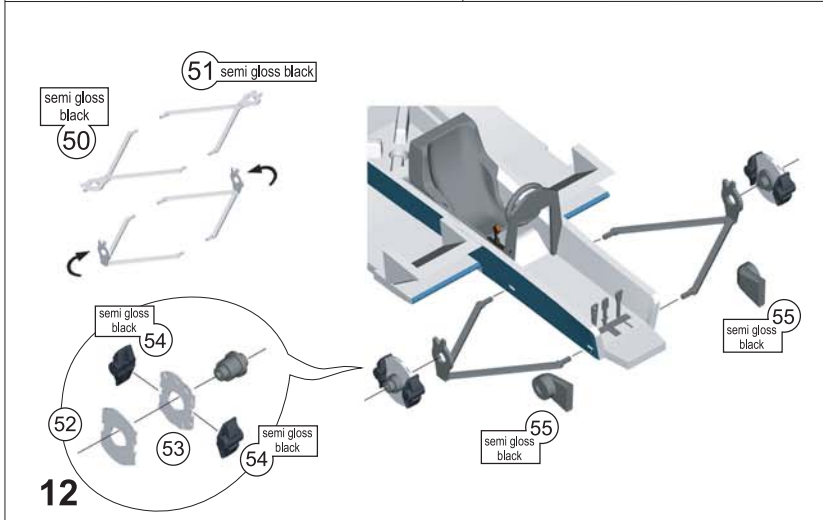
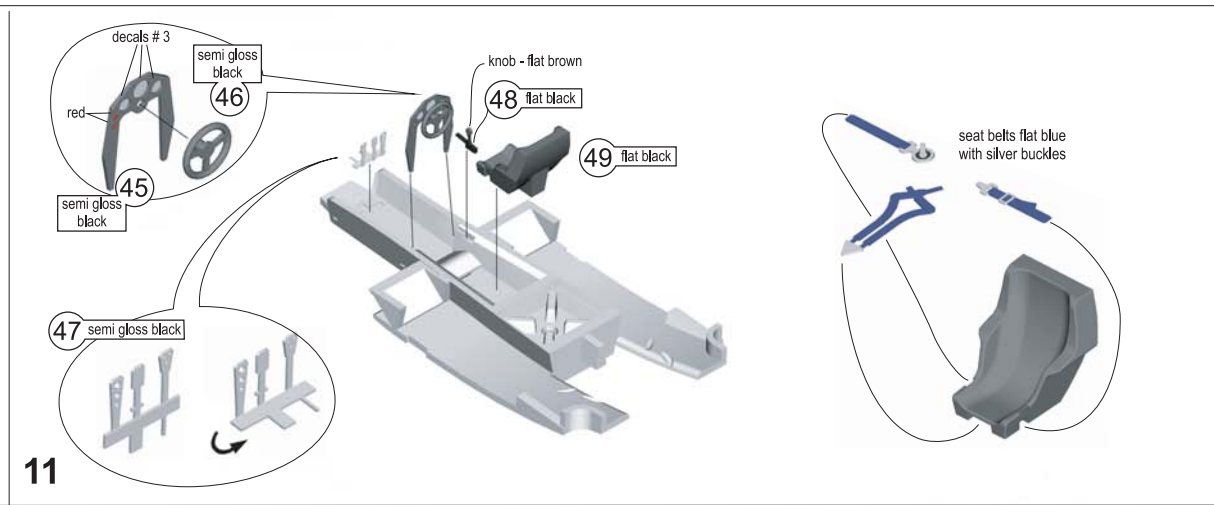
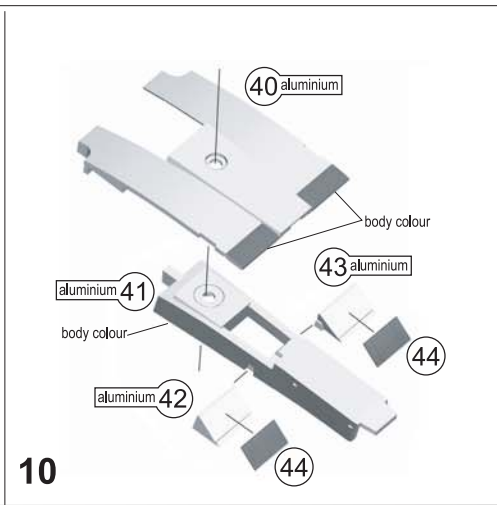
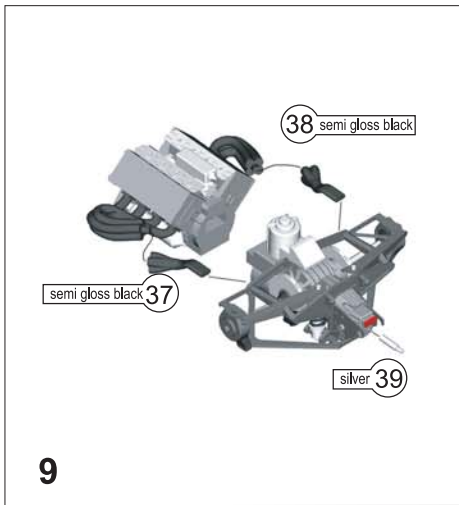
1/43rd Scale White Metal Kit
 Collectors model
 Not suitable for small children
 Produced by **This Way Up**, Cape Town
 South Africa. twu@iafrica.com

PHOTOETCHED

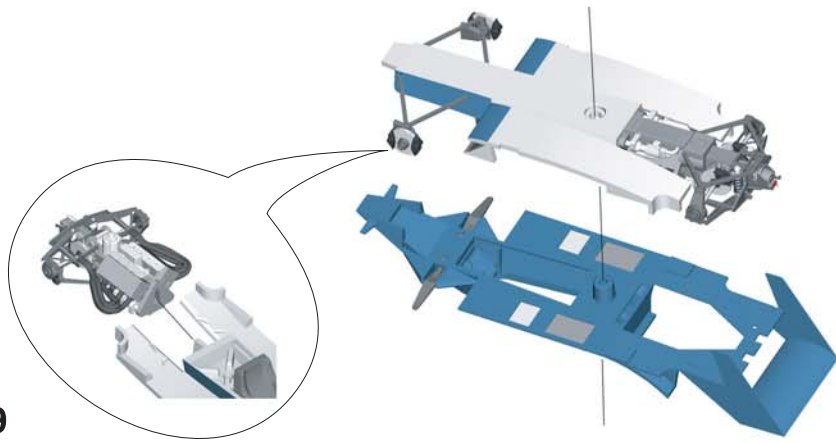


DRILLING INSTRUCTIONS





19



body colour 78

79

80

81 body colour

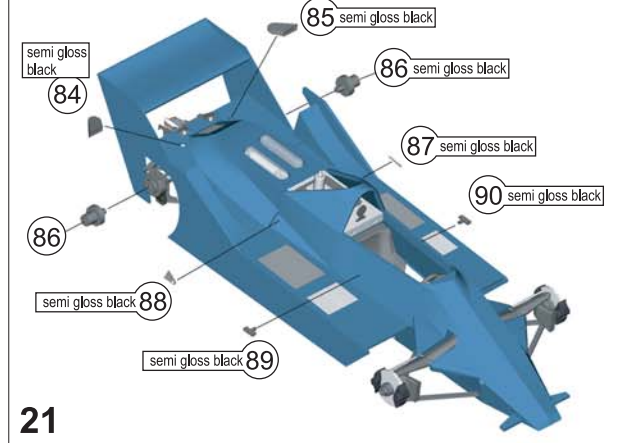
83 silver

20

US West Grand Prix version 1979

Monaco Grand Prix version 1979

21



body colour 103

body colour 107

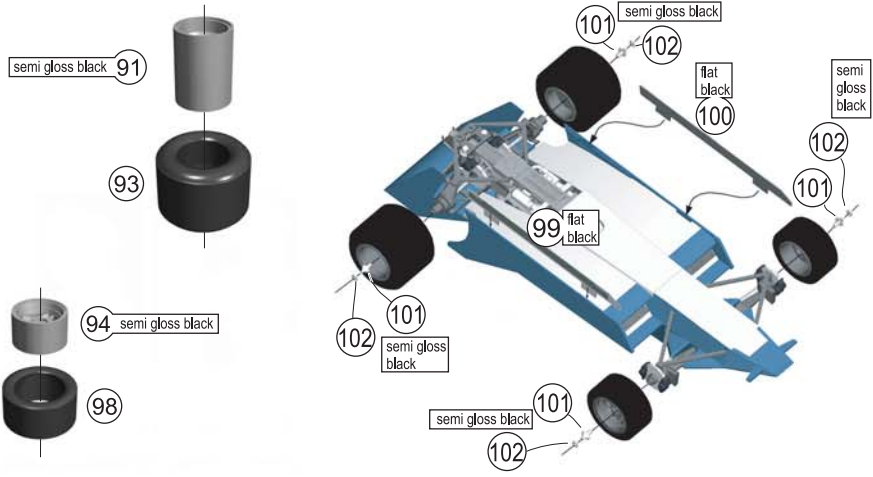
body colour 105

body colour 106

104 body colour

108 body colour

22



body colour 111

body colour 112

body colour 109 silver

body colour 113

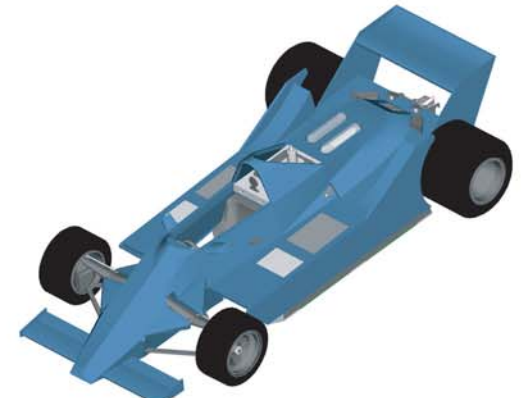
body colour 115

body colour 116

114 body colour

110 body colour

silver



TWU 003

Wolf-Ford WR7

1979 US West/Monaco
James Hunt

White Metal Kit-1: 43rd



DISTRIBUTED by



Colour conversion - Conversione colori - Farbenumwandlung Conversion de couleurs - Colores convensionados

BLACK NERO SCHWARZ NOIRE NEGRO TAMIYA TS14	GOLD ORO GOLD OR ORO TAMIYA X12	SEMI GLOSS BLACK NERO SEMI LUCIDO HALBGLANZSCHWARZ NOIR SEMI BRILLANT NEGRO SEMBRILLANTE TAMIYA X18	GUN METAL GRIGIO FUCILE GUN METAL GRIS FUSIL GRIS FUSIL TAMIYA X10	SILVER ARGENTO SILBER ARGENT PLATA TAMIYA X11	RED ROSSO ROT ROUGE ROJO TAMIYA X7
FLAT BLACK NERO OPACO MATTSCHWARZ NOIRE OPAQUE NEGRO OPACO TAMIYA XF1	FLAT BLUE BLU OPACO MATTLBLAU BLEU OPAQUE AZUL MATE TAMIYA XF8	FLAT BROWN MARRONE OPACO MATTBRAUN MARRON MAT MARRON PLANO TAMIYA XF10	ALLUMINIO ALUMINIUM ALUMINIUM ALUMINIUM ALUMINIUM TAMIYA XF16		

COMPLETE ASSEMBLY BEFORE PAINTING SEMI GLOSS BLACK
ASSEMBLATE COMPLETAMENTE PRIMA DI VERNICIARE IN NERO OPACO
KOMPLETT ZUSAMMENBAUEN, BEVOR SIE IN SCHWARZ MATT MALEN
ASSEMBLEZ COMPLÈTEMENT AVANT DE PEINDRE EN NOIR MAT
ARMAR COMPLETAMENTE ANTES DE PINTAR EN NEGRO MATE

PHOTOETCHED
FOTOINCISIONI
FOTOGEÄTZT
PHOTOGRAVURES
FOTOGRAFADO

DRILLING INSTRUCTION
ISTRUZIONI DI FORATURA
BOHRANLEITUNG
INSTRUCTIONS DE FORAGE
INSTRUCCIONES DE PERFORACION

BODY COLOUR
COLORE CARROZZERIA
KÖRPERFARBE
COULEUR CARROSSERIE
COLOR DEL CUERPO

BUCKLES
FIBBIE
SCHNALLEN
BOUCLES
HEBILLAS

KNOB
POMELLO
KNOPF
BOUTON
POMO

SEAT BELTS FLAT BLUE WITH SILVER BUCKLES
CINTURE DI SICUREZZA BLU OPACHE CON FIBBIE ARGENTO
BLAUE SCHWARZE SICHERHEITSGÜRTEL MIT SILBERNEN SCHNALLEN
CEINTURES DE SÉCURITÉ BLEUES OPAQUE AVEC BOUCLES D'ARGENT
CINTURONES DE SEGURIDAD OPAQUE AZUL CON HEBILLAS DE PLATA

OPPOSITE SIDE
LATO OPPOSTO
GEGENSEITIG
CÔTÉ OPPOSÉ
LADO OPUESTO

TAMEO KITS srl
Via Valle, 111 - P.O. Box 61
17022 BORGIO VEREZZI SV ITALY
Tel. 39 019 - 615.250
Fax. 39 019 - 615.310

www.tameokits.com
sales@tameokits.com
technical@tameokits.com

Made in Italy. Modello per collezionisti in scala 1/43. Vietata la vendita ai minori di 14 anni. Nocivo per ingestione. Conservare fuori dalla portata dei bambini. Tameo Kits declina ogni responsabilità per un uso improprio del prodotto.

Made in Italy. Collector 1/43 Scale Models. Not for sale to persons under 14 years of age. Dangerous if swallowed. Keep out of reach of children. Tameo Kits not held responsible for any damage or injury resulting from improper use of the product.

Made in Italy. Modèle pour collectionneurs échelle 1/43. Vente interdite aux enfants de moins de 14 ans. Dangereux si avalé. Conserver hors de la portée des enfants. Tameo Kits décline toute responsabilité dans le cas de dommages dérivants de l'usage non approprié du produit.

Made in Italy. Sammlermodell im Massstab 1/43. Verkauf an Jugendliche unter 14 Jahren verboten. Schädlich bei Verschlucken. Tameo Kits lehnt jede Verantwortung bei unsachgemässer Benutzung des Produktes ab.

Hecho en Italia. Colección de modelos a escala 1/43. Prohibida la venta a menores de 14 años. No comestible. Mantener fuera del alcance de los niños. Tameo Kits no se hace responsable de los daños causados por el uso incorrecto de este producto.